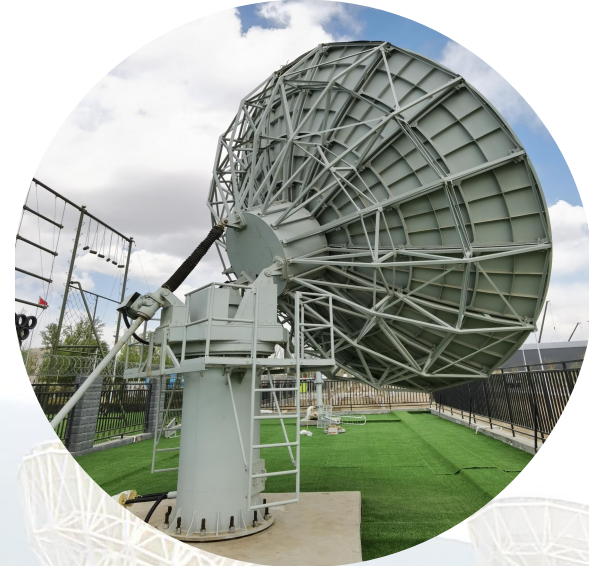


Earth Station Antenna Model NS-SEC-620 6.2m Antenna

Characteristics:

- Meets or exceeds CCIR 580 and Intelsat requirements;
- Meets Intelsat, Asiasat, Chinasat network access requirement;
- Ring focus designed;
- High gain, Low sidelobe, High G/T rate;
- Hot-dip zinc processed steel parts, with strong corrosion resistant ability;



Optional Characteristics:

- X band, C band, Ku band, Ka band, S band, customized frequency available;
- Limited-motion/Semi-turntable/Full-motion optional.
- Rx/Tx or 2Rx/2Tx;
- Two(2) and Three(3) Axis Motorization kit;
- Lightning protection;
- De-icing for Reflector and Sub reflector;
- Single speed or dual speed controller.

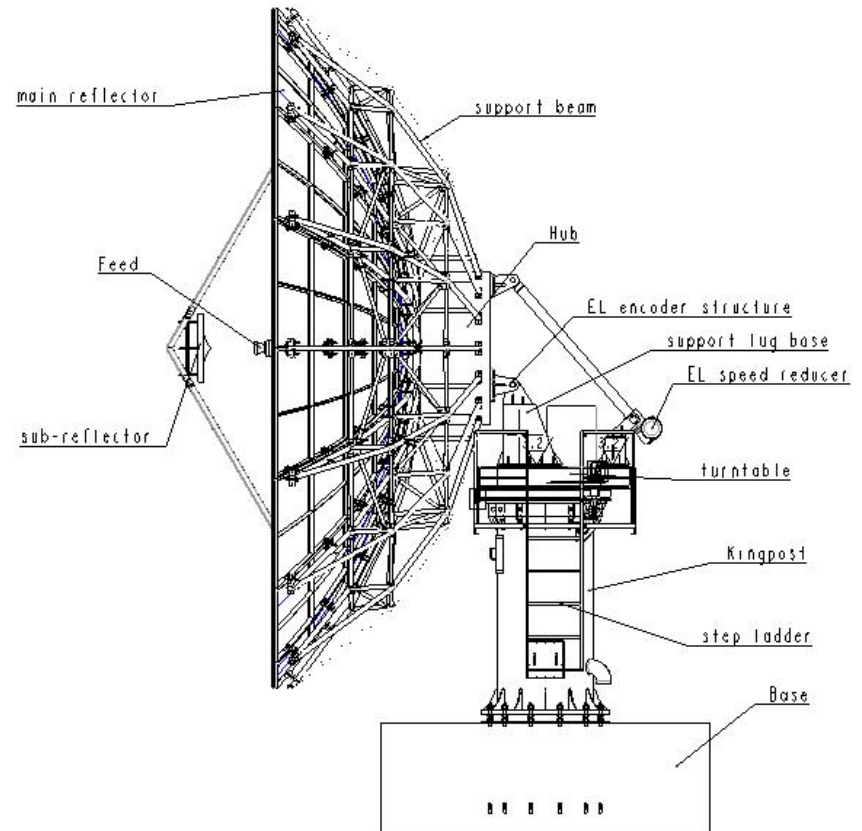
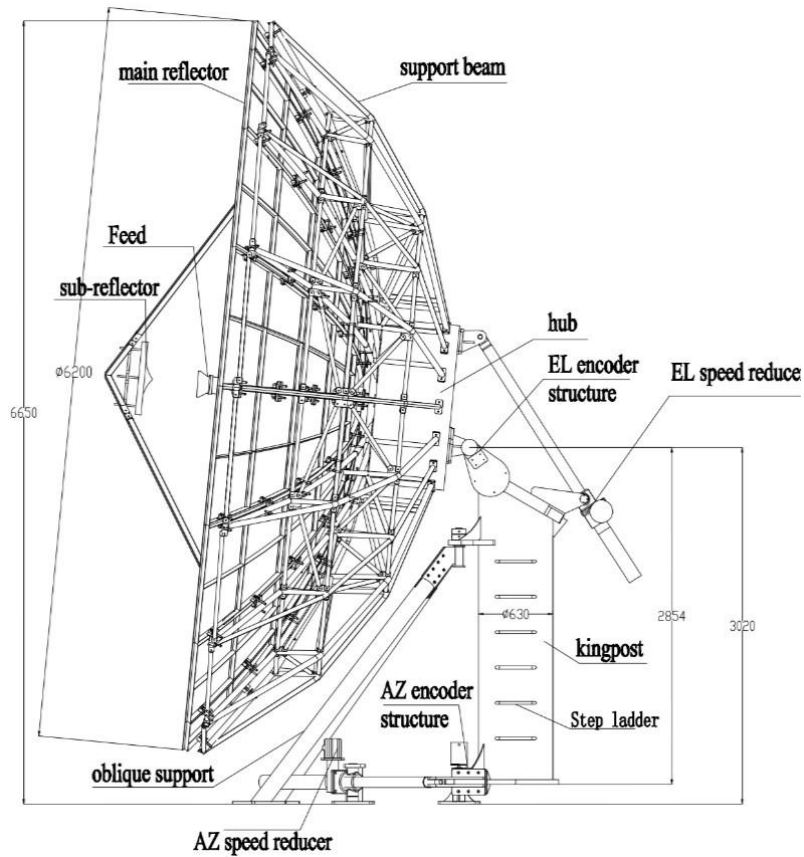
RF SPECS	NS-SEC(C)-620		NS-SEC(Ku)-620		NS-SEC(Ka)-620	
Frequency	3.625~4.2GHz	5.85~6.425GHz	10.95~12.75GHz	13.75~14.5GHz	17.7~21.2GHz	27.5~31GHz
Gain, dBi	45.97@3.8GHz	50.34@6.288GHz	55.85@11.85GHz	57.37@14.125GHz	59.87@19.95GHz	63.34@29.75GHz
Polarization	Circular/Linear		Linear		Circular/Linear	
Cross-pol, on Axis			≥30dB		/	
VSWR	1.3:1	1.3:1	1.3:1	1.3:1	1.35:1	1.35:1
Axial ratio 2 port	1.3 dB	1.3 dB	1.2 dB	1.2 dB	1.25 dB	1.25 dB
Axial ratio 4 port	0.5 dB	0.5 dB	/	/	1 dB	1 dB
Feed insertion loss	≤0.3dB	≤0.3dB	≤0.35dB	≤0.35dB	0.6dB	0.6dB
Antenna Noise Temperature						
10° Elevation	35 K		50K		115 K	
30° Elevation	25K	/	39K	/	74K	/
50° Elevation	22 K		36K		70K	
-3dB Beam width	0.83°	0.5°	0.27°	0.22°	0.167°	0.112°
Power capacity	/	2KW	/	2KW	/	2KW
Feed interface	CPR-229G	CPR-137G	WR-75	WR-75	WR-42	WR-28
Isolation, Rx to Tx,	90 dB		85 dB		85 dB	
First Sidelobe	≤-14dB		≤-14dB		≤-14dB	
90% Peaks under Following envelop	29 - 25 logθ(1° ≤θ<20°)		29 - 25 logθ(1° ≤θ<20°)		29 - 25 logθ(1° ≤θ<20°)	

MECHANICAL SPECIFICATIONS

Antenna Diameter	6.2m
Antenna travel range	AZ ±70° (Truss type), 5° ~355° continuous(turntable type) EL 5° ~90° Pol ±90°
Antenna Type	Ring focus
Structure	LMC/FMC
Drive Mode	Manual/Motorized
Surface accuracy(R.M.S)	≤0.5mm(C/Ku) ≤0.3mm(Ka)

ENVIRONMENT SPECIFICATIONS

Working wind speed	72km/h
Survival wind speed	216km/h
Humidity	100%
Ice load	Icing 13mm: normal work Icing 25mm, no damage
Temperature	-30~50°C
Seismic capacity	Horizontal: 0.3G; vertical: 0.1G
Working wind speed	72km/h



Antenna package:

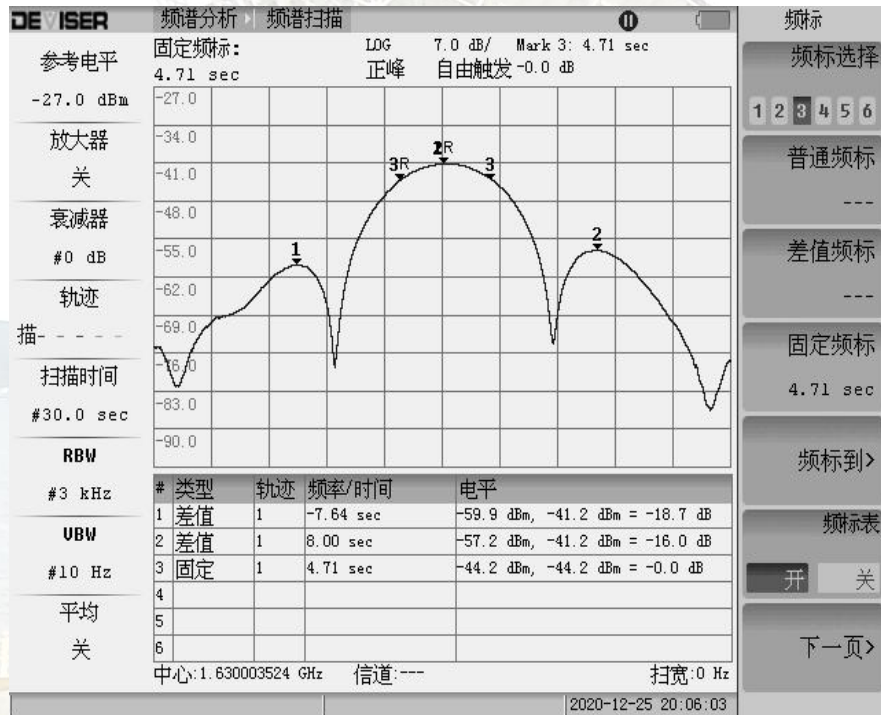
Total: 5 packages, dimension: 22 CBM, gross weight: 3590kg;
Loading capacity: 1 set for 40ft container.

Note:

Weight and dimensions for reference only;
Can vary depends on options choosen;
Please confirm with us prior to any shipment.

Antenna test pattern

AZ



EL

